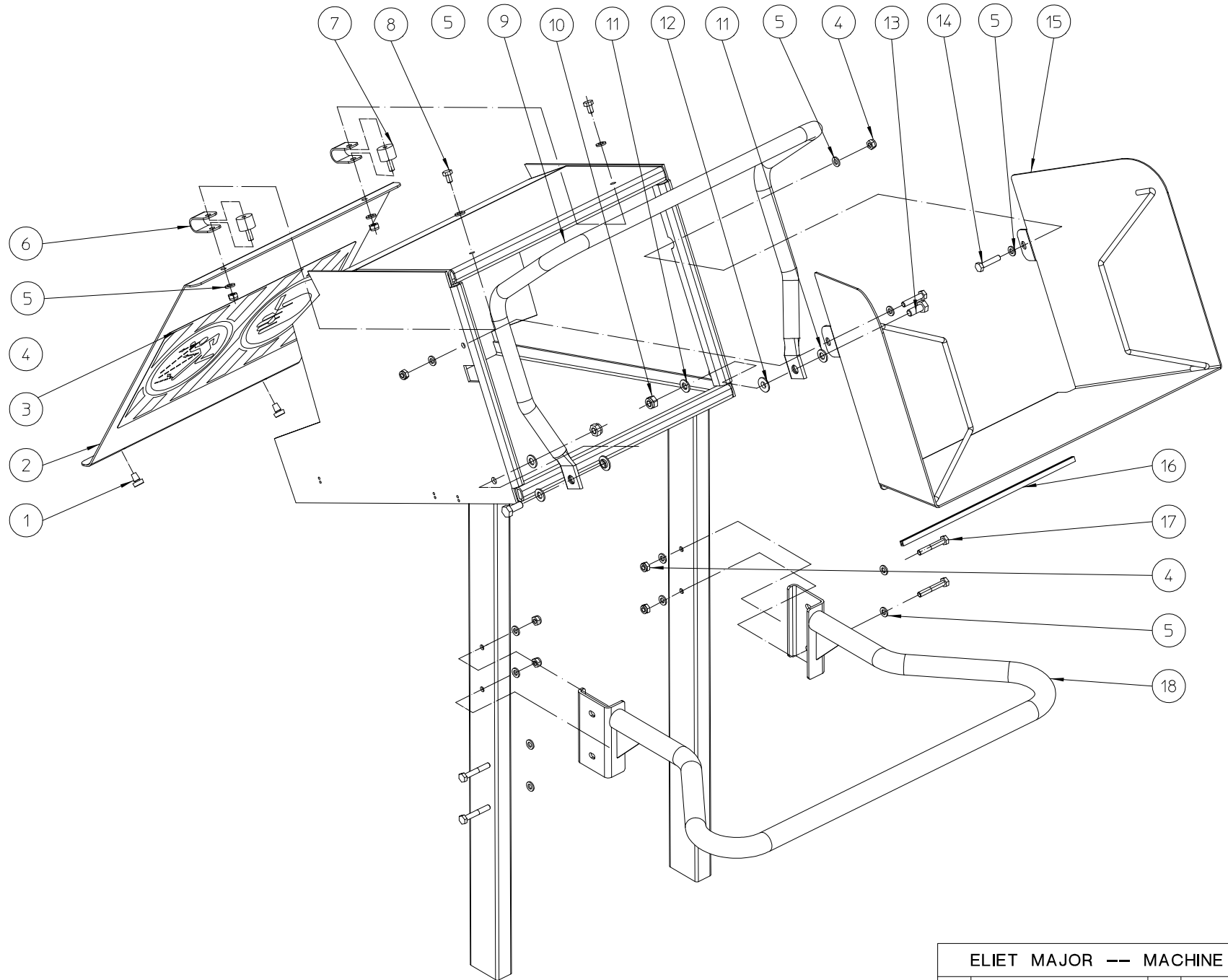


ELIET MAJOR -- GENERAL

NO	MMA 01 040 100	REV	2	DATE	2010/10/07
----	----------------	-----	---	------	------------

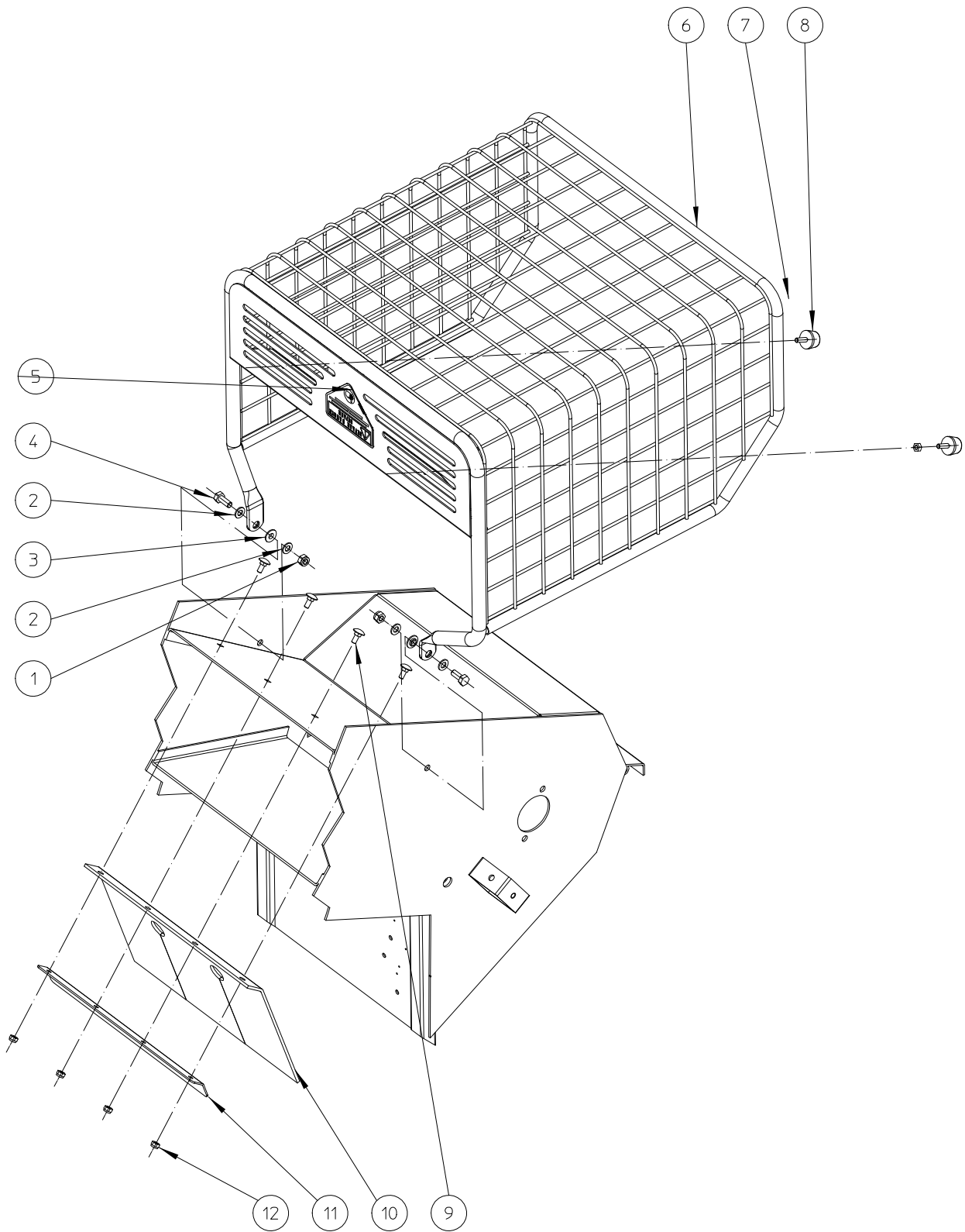
#	Order nr	article description	quantity
1	MMA 01 040 110	machine front side	1
2	MMA 01 040 120	safety guard	1
3	MMA 01 040 130	chassis	1
4	MMA 01 040 140	machine rear side	1
5	MMA 01 040 150	rotor	1
6	MMA 01 040 160	transmission	1
7	MMA 01 040 170	electrical system	1
8	MMA 01 040 180	accessories	1



ELIET MAJOR -- MACHINE FRONT SIDE

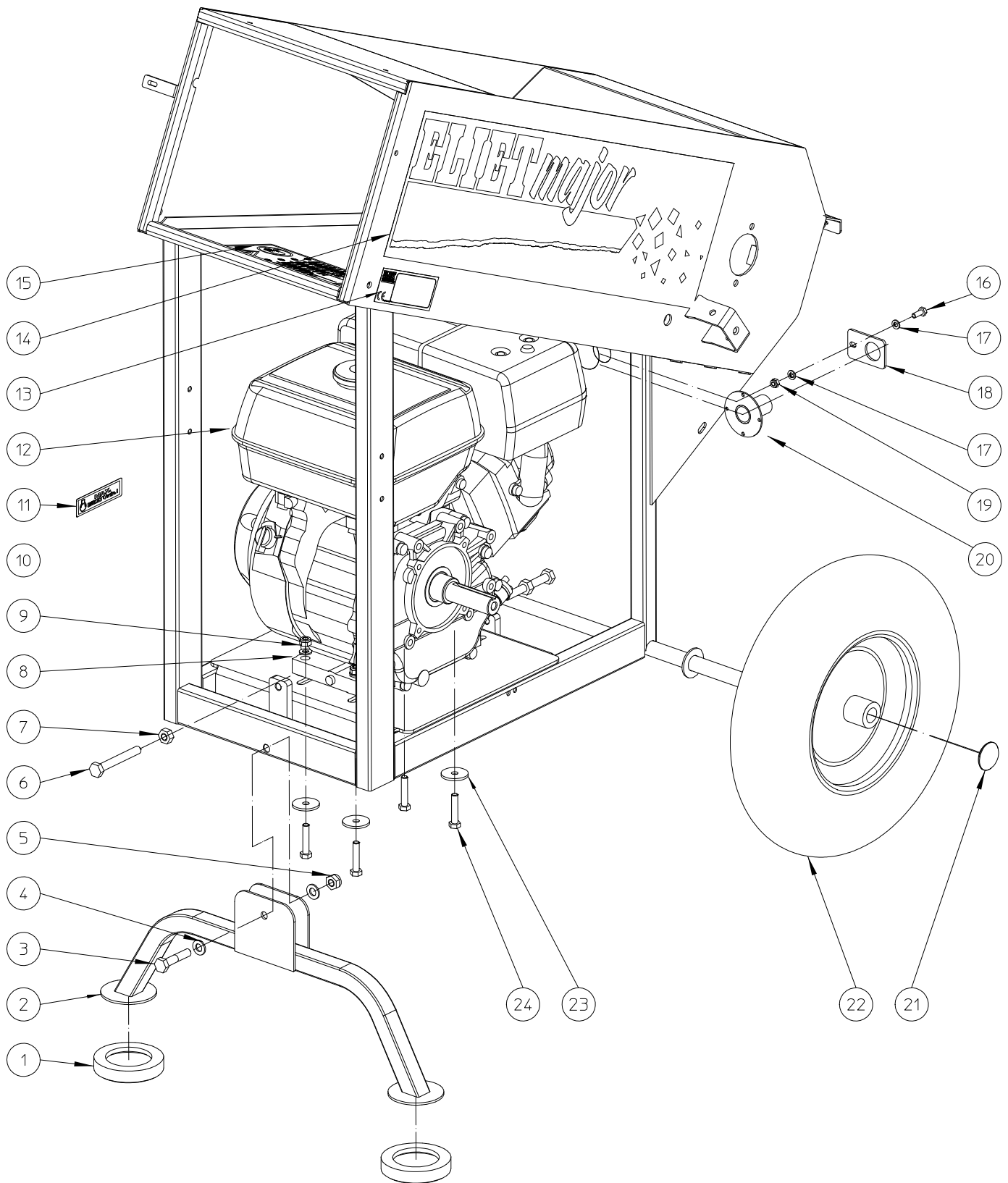
NO	MMA 01 040 110	REV	2	DATE	2010/03/23
----	----------------	-----	---	------	------------

#	Order nr	article description	quantity
1	BR 602 006 151	rubber bumper	2
2	MPA 01 040 050	anti projection shield	1
3	BQ 505 010 090	safety sticker 310x200	1
4	BS 502 000 600	self locking nut m6 din 985	4
5	BS 531 000 600	washer m6 din 125	8
6	BR 910 000 020	retainer ertalon 80x20x2	2
7	BR 600 220 150	antivibration blocks 20x15b m6x15	2
8	BS 512 000 610	bolt m6x10 din 933	2
9	MPA 01 040 040	safety handle	1
10	BS 502 000 800	self locking nut m8 din 985	6
11	BS 531 000 800	washer m8 din 125	12
12	BR 112 080 300	nylon bushing with collar (8.2/10.9/18x3.5/1.5)	2
13	BS 512 000 820	bolt m8x20 din 933	2
14	BS 512 000 630	bolt m6x30 din 933	2
15	MPA 01 040 070	hopper	1
16	BR 000 910 280	rubber u-moulding 280mm	1
17	BS 511 000 840	bolt m8x40 din 931	4
18	MPA 01 040 021	push bracket - 2008	1



ELIET MAJOR -- SAFETY GUARD					
NO	MMA 01 040 120	REV	2	DATE	2011/07/14

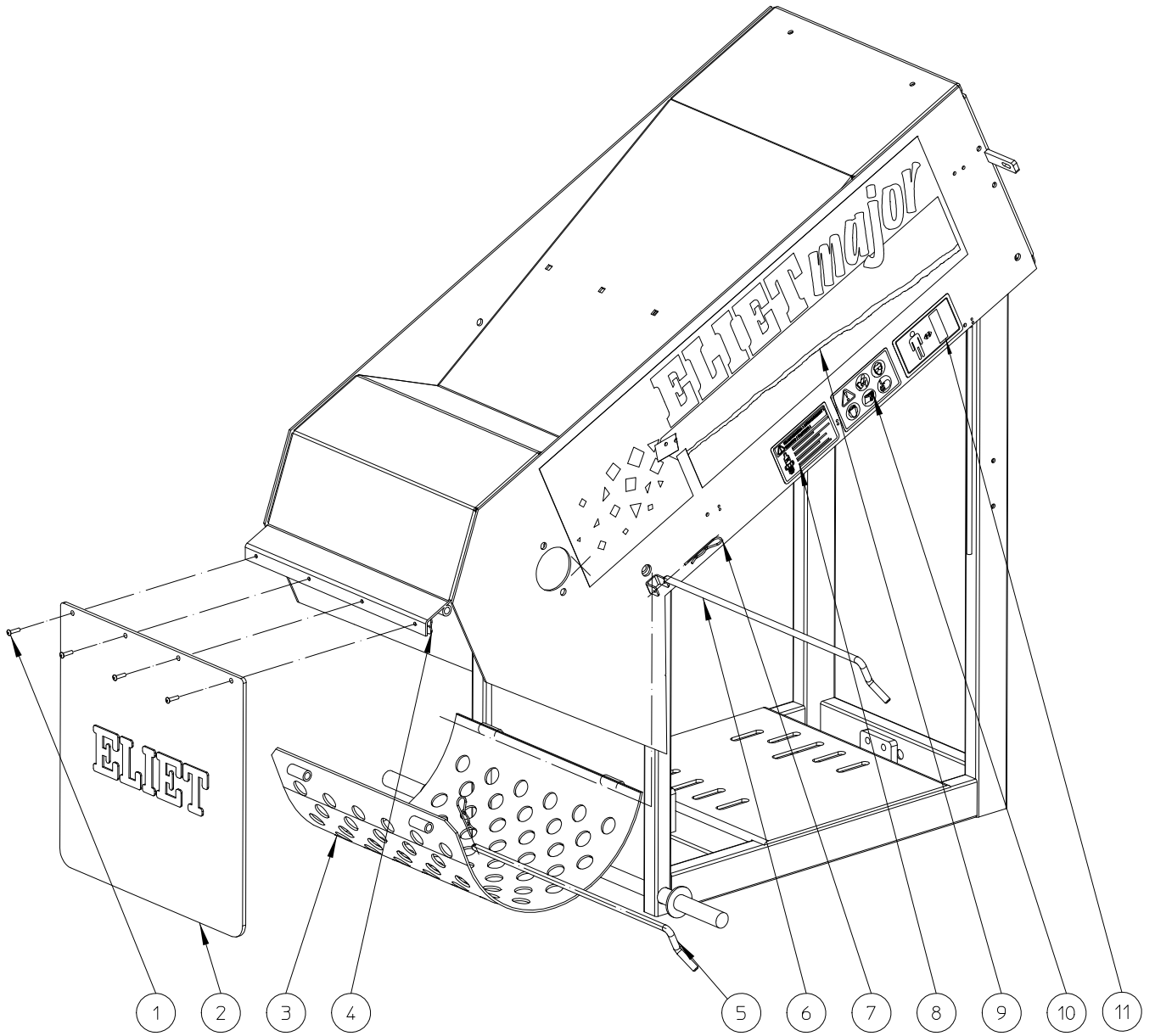
#	Order nr	article description	quantity
1	BS 502 000 800	self locking nut m8 din 985	2
2	BS 531 000 800	washer m8 din 125	4
3	BR 112 080 300	nylon bushing with collar (8.2/10.9/18x3.5/1.5)	2
4	BS 512 000 820	bolt m8x20 din 933	2
5	BQ 505 010 070	safety sticker 100x80 (hand cuts)	1
6	MPA 01 040 061	rear safety guard - 2002	1
7	BS 501 000 600	nut m6 din 934	2
8	BR 600 425 170	antivibration blocks 25x17b m6x18	2
9	BS 554 100 616	bolt m6x16 din 603	4
10	BR 900 001 220	rubber anti projection flap	1
11	MPA 01 040 220	retainer for rubber rubber flap	1
12	BS 502 000 600	self locking nut m6 din 985	4



ELIET MAJOR -- CHASSIS					
NO	MMA 01 040 130	REV	2	DATE	2010/03/29

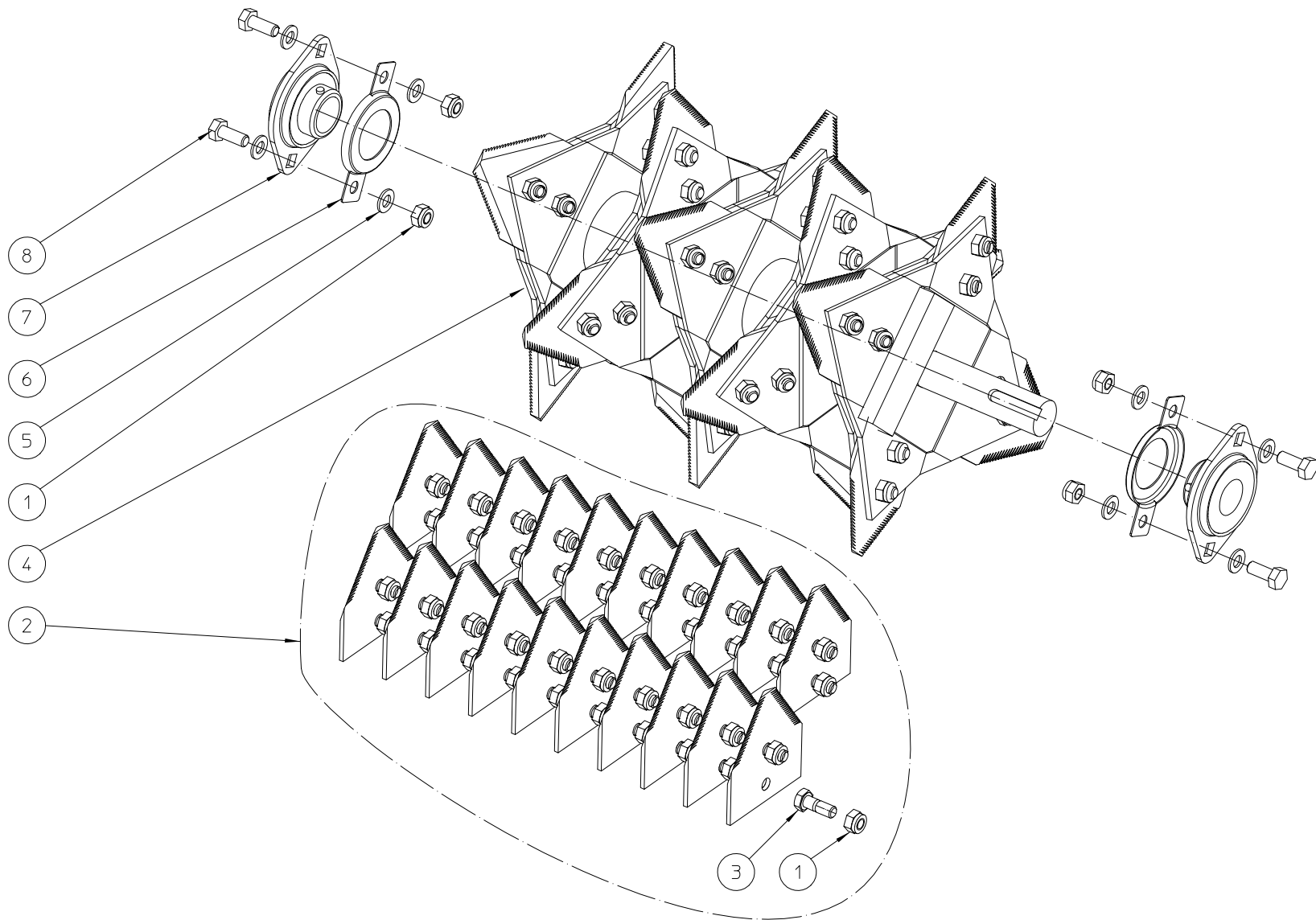
#	Order nr	article description	quantity
1	BR 900 000 110	rubber socks dia 90x18mm	2
2	MPA 01 040 010	foot	1
3	BS 511 001 042	bolt m10x50 din 931	1
4	BS 531 001 000	washer m10 din 125	2
5	BS 502 001 000	self locking nut m10 din 985	1
6	BS 512 001 048	bolt m10x80 din 933	2
7	BS 501 001 000	nut m10 din 934	2
8	BS 531 000 800	washer m8 din 125	4
9	BS 502 000 800	self locking nut m8 din 985	4
10	MPA 01 040 030	chassis 9 hp b&s vanguard	1
11	BQ 505 010 030	sticker max 3200 rpm 90x25	1
12	BM 202 109 000	honda gx 270	1
13	BQ 505 010 010	identity sticker ce 120x30	0
14	BQ 501 040 020	sticker eliet major 675x195 (r)	1
15	BQ 505 010 110	safety sticker 190x125 (in feed)	1
16	BS 512 000 616	bolt m6x16 din 933	1
17	BS 531 000 600	washer m6 din 125	2
18	MPA 01 010 050	brace for muffler pipe	1
19	BS 502 000 600	self locking nut m6 din 985	1
20	MPA 01 010 110	muffler pipe 9 hp honda gx270	1
21	BB 011 000 200	starlock 20mm	2
22	BW 040 020 000	wheel 4.80-4	2
23	BS 532 008 356	washer m8x35x3	4
24	BS 512 000 840	bolt m8x40 din 933	4





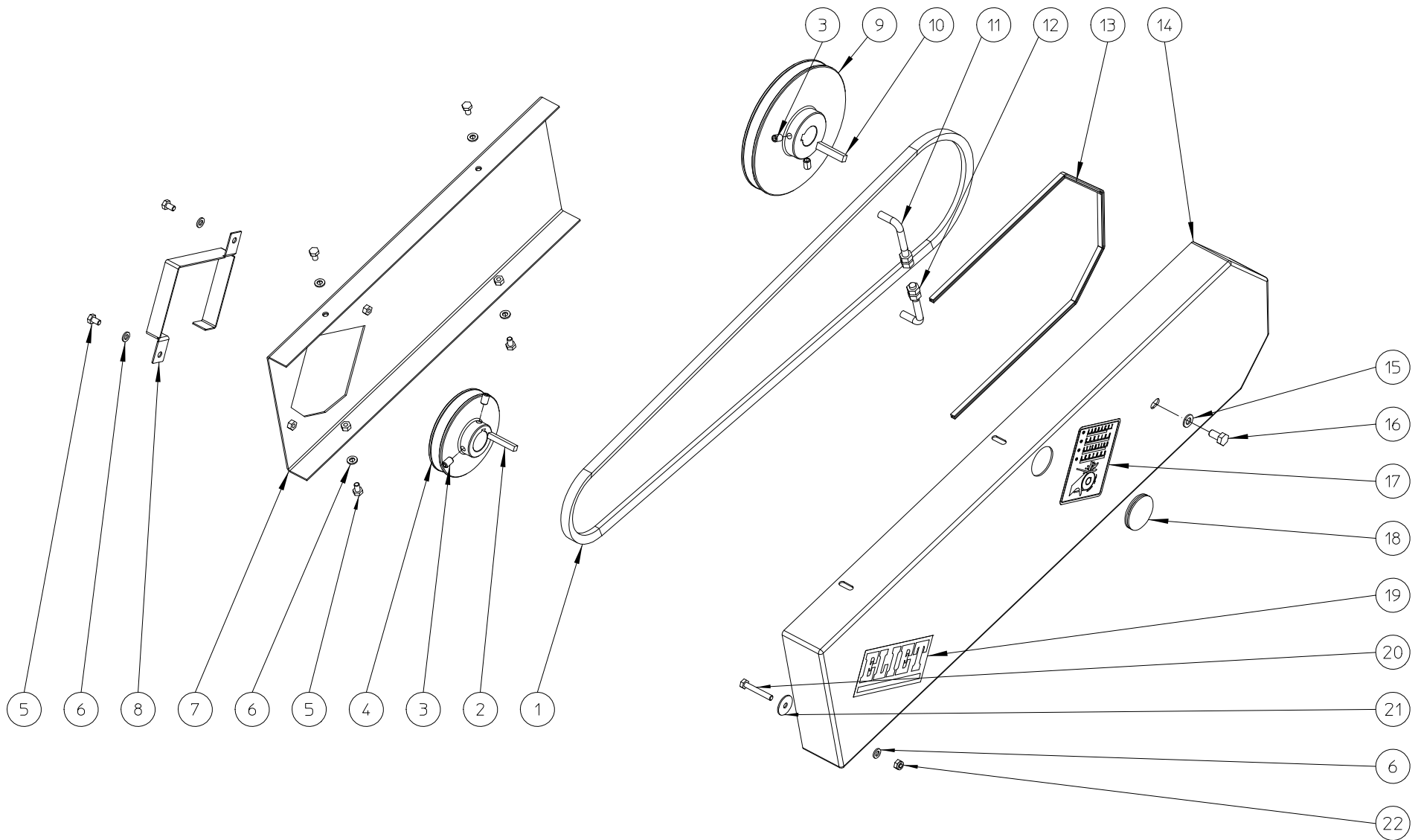
ELIET MAJOR -- MACHINE REAR SIDE				
NO	MMA-01.040.140	REV	1	DATE
				2007/04/17

#	Order nr	article description	quantity
1	BB 221 104 160	pop plug alu 3.9x16 din 7337 a	4
2	BR 900 001 030	rubber anti projection flap	1
3	MPA 01 040 090	standard grating 20mm	1
4	MPA 01 040 080	retainer for rubber rubber flap	1
5	MPA 01 040 130	locking rod with hole	1
6	MPA 01 040 120	locking rod without hole	1
7	BB 040 102 040	hairpin cotter 2mm din 11024	2
8	BQ 505 010 040	safety sticker 60x100 (spark plug)	1
9	BQ 501 040 010	sticker eliet major 675x195 (I)	1
10	BQ 505 010 050	safety sticker 60x100 (pictogram)	1
11	BQ 505 010 150	safety sticker 60x100 (distance)	1



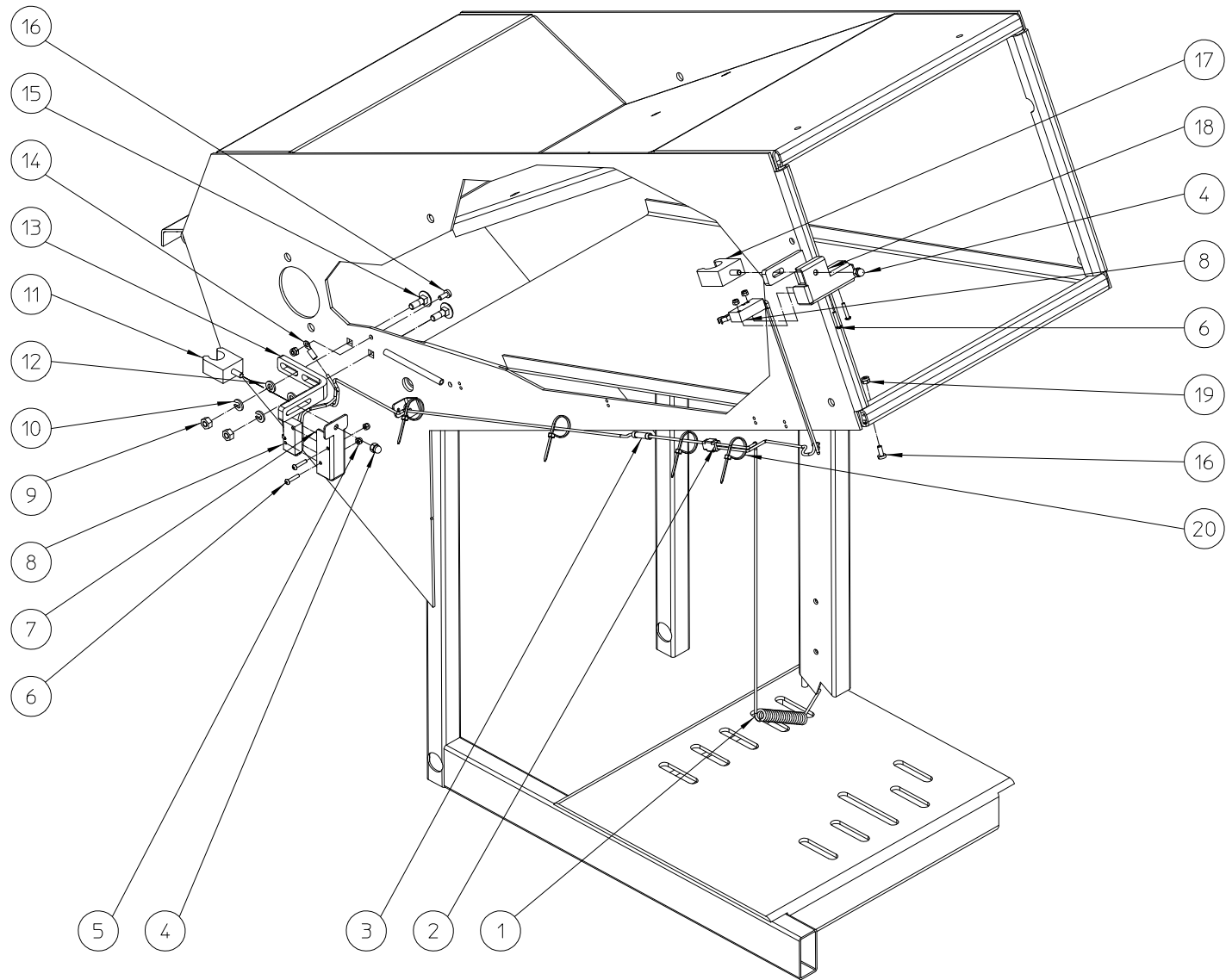
<b>ELIET MAJOR -- ROTOR</b>					
NO	MMA 01 040 150	REV	1	DATE	2009/11/26

#	Order nr	article description	quantity
1	BS 502 000 800	self locking nut m8 din 985	4
2	BU 401 200 302	set of knives (20)	1
3	BS 011 000 822	bolt m8x22 din 931	0
4	MPA 01 040 500	rotor	1
5	BS 531 000 800	washer m8 din 125	8
6	MPA 01 010 020	bearing protection cover 205	2
7	BL 801 102 500	bearing + flanges aspfl 205	2
8	BS 512 000 820	bolt m8x20 din 933	4



ELIET MAJOR -- TRANSMISSION					
NO	MMA-01.040.160	REV	1	DATE	2006/06/15

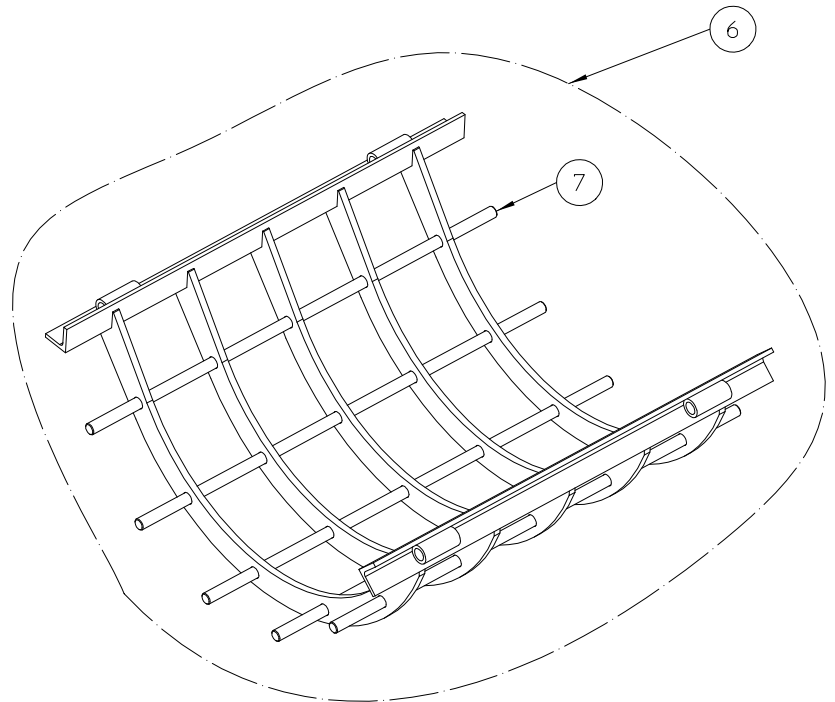
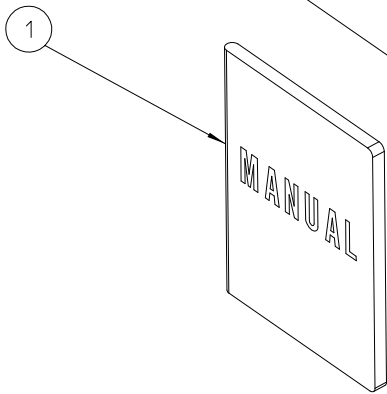
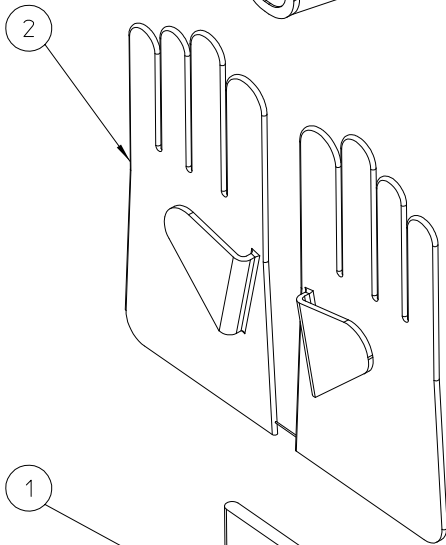
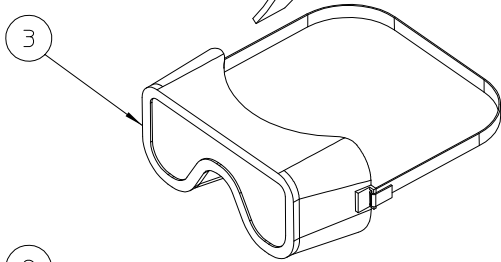
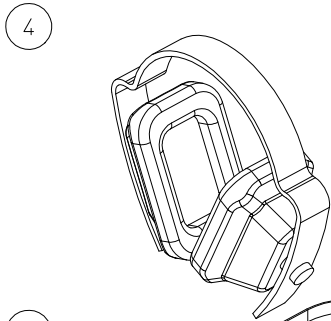
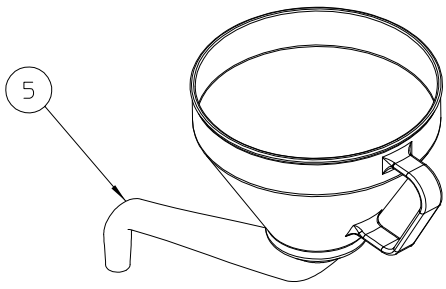
#	Order nr	article description	quantity
1	BA 521 216 000	belt xpa 1600	1
2	BB 342 060 640	key 6.35x6.35x40 din 6880	1
3	BS 023 000 812	set screw m8x12 din 916	4
4	BA 565 710 004	pulley spa 100x25.4x6.4 (engine)	1
5	BS 512 000 610	bolt m6x10 din 933	6
6	BS 531 000 600	washer m6 din 125	7
7	MPA 01 030 120	transmission guard (inside)	1
8	MPA 01 010 150	crankshaft guard 20mm	1
9	BA 565 716 001	pulley spa 160x25x8 (rotor)	1
10	BB 341 080 740	key 8x7x40 din 6880	1
11	MPA 01 010 180	belt catcher	2
12	BS 501 000 800	nut m8 din 934	4
13	BR 000 910 600	rubber u-moulding 600mm	1
14	MPA 01 030 110	transmission guard (outside)	1
15	BS 531 000 800	washer m8 din 125	1
16	BS 512 000 816	bolt m8x16 din 933	1
17	BQ 505 010 130	safety sticker 100x80 (belt transmission)	1
18	BR 500 103 800	rubber plug 42x38x1.6	1
19	BQ 501 010 020	sticker eliet 130x60	1
20	BS 512 000 640	bolt m6x40 din 933	1
21	BS 532 006 253	washer m6x25x1.5	1
22	BS 502 000 600	self locking nut m6 din 985	1



ELIET MAJOR -- ELECTRICAL SYSTEM					
NO	MMA 01 040 170	REV	2	DATE	2010/05/25

#	Order nr	article description	quantity
1	BE 090 231 141	red wire 1.5 ce 114	1
2	BE 031 034 201	blue wire connector 2.5mm	1
3	BE 031 013 400	cable connexion red	1
4	BS 505 500 500	nut m5 din 1587	2
5	BS 502 000 300	self locking nut m3 din 985	4
6	BS 522 500 316	screw m3x16 iso 7380	4
7	MPA 01 010 210	cover for safety switch	1
8	BE 120 010 500	safety switch	2
9	BS 501 000 600	nut m6 din 934	2
10	BS 533 000 600	lock washer m6 din 127b	2
11	BT 654 001 601	clam 16mm	1
12	BS 531 000 600	washer m6 din 125	2
13	MPA 01 010 220	bracket for safety switch	1
14	BE 031 013 000	eyed terminal m6	2
15	BS 554 100 620	bolt m6x20 din 603	2
16	BS 541 000 410	screw m4x10 din 84	2
17	BT 654 001 901	clam 19mm	1
18	MPA 01 010 200	cover for safety switch	1
19	BS 502 000 400	self locking nut m4 din 985	2
20	BE 043 010 100	wrap tie 100x2.5	4





ELIET MAJOR -- ACCESSORIES					
NO	MMA-01.040.180	REV	1	DATE	2009/03/03

#	Order nr	article description	quantity
1	BZ 201 040 010	manual major	1
2	BQ 710 050 000	gloves	1
3	BQ 720 050 000	goggles	1
4	BQ 700 050 000	hearing protectors	1
5	BG 900 010 502	funnel	1
6	MA 003 001 001	grating for leaves	1
7	MPA 01 040 560	rod for grating for leaves	0